

Model No.: TC9FD00-04

Rev: 1

Product Line: Tymphany

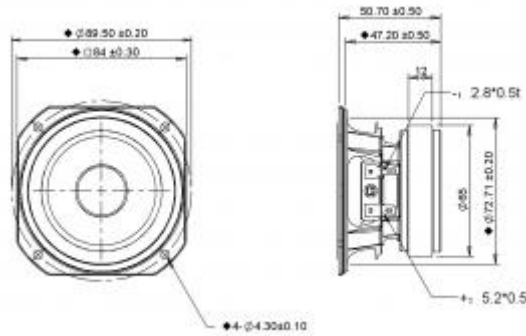
Last Update: 2017-04-25 14:32:09

## Product Description

This TC family 3.5 inch 4 ohm full-range driver, with ferrite magnet, paper cone, fabric surround and steel basket, is designed to be a cost-effective high performance full range driver. The cone utilizes Tymphany-patented PentaCut NRSC cone technology to help dampen and control cone resonances, optimizing the listening experience. The motor contains a copper cap to lower inductance and distortion. The product was designed with Pro column and other high sensitivity full range applications in mind.



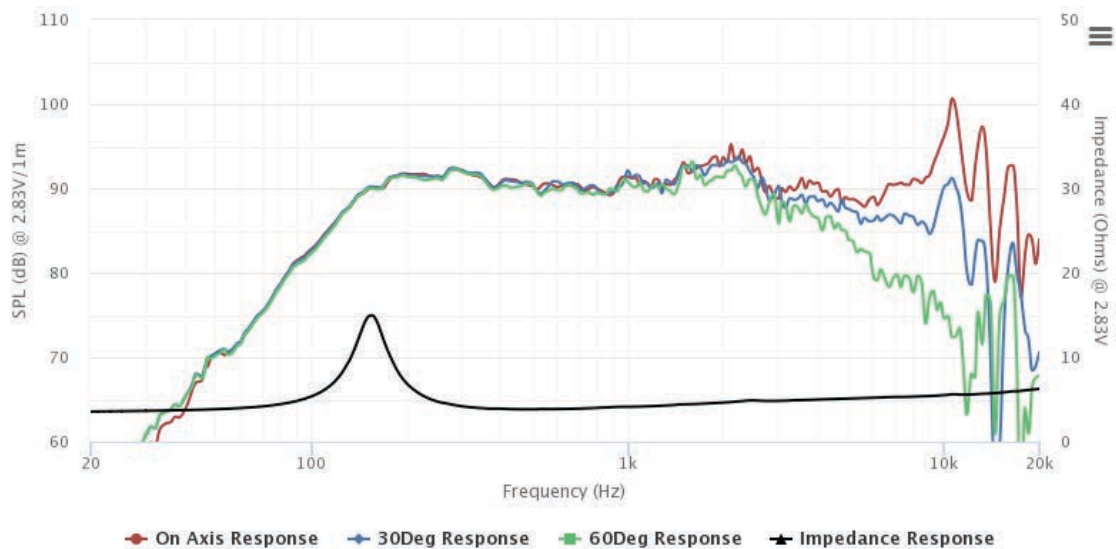
## Mechanical Drawing



## Specifications

DC Resistance	Revc	Ohms	3.03	5.0%	Energy Bandwidth Product	EBP	(1/Qes)*fs
Minimum Impedance	Zmin	Ohms	3.84	7.5%	Moving Mass	Mms	g
Voice Coil Inductance	Le	mH	0.02		Suspension Compliance	Cms	um/N
Resonant Frequency	Fs	Hz	174.64	15%	Effective Cone diameter	D	cm
Mechanical Q Factor	Qms		4.75		Effective Piston Area	Sd	cm <sup>2</sup>
Electrical Q Factor	Qes		1.28		Effective Volume	Vas	L
Total Q Factor	Qts		1.01		Motor Force Factor	BL	Tm
Ratio Fs/Qts	F	Fs/Qts	173.09		Motor Efficiency Factor	β	(T*M <sup>2</sup> )/Ohms
Half Space Sensitivity @2.83V	db@2.83V/1M	dB	90.27	+/- 1.0db	Voice coil former Material	VCfm	ASV
Half Space Sensitivity @1W/1M	db@1W/1M	dB	87.1	+/- 1.0db	Voice coil inner diameter	VCd	mm
Gap Height	Gh	mm	4		Rated Noise Power	P	W
Maximum Linear Excursion	Xmax	mm	1.6		Test Spectrum Bandwidth	Fs-10000	
Ferrofluid Type	FF				Driver Size	Inch	3.5 in
Driver Mass	Kg		0.4				

## Frequency and Impedance Response



Highcharts.com