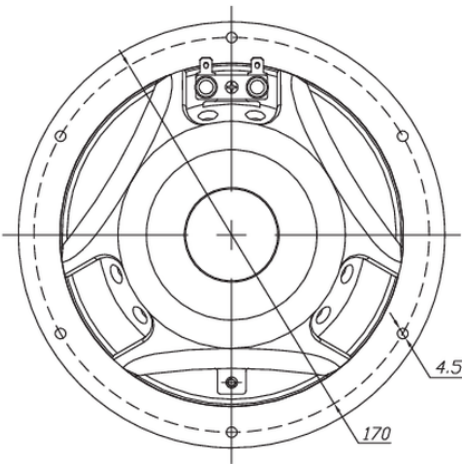
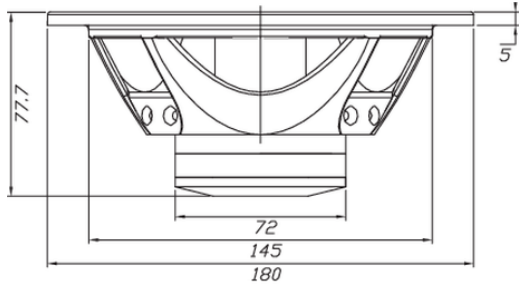




PS180-8 6-1/2" Point Source Full-Range Neo Driver

PS180-8



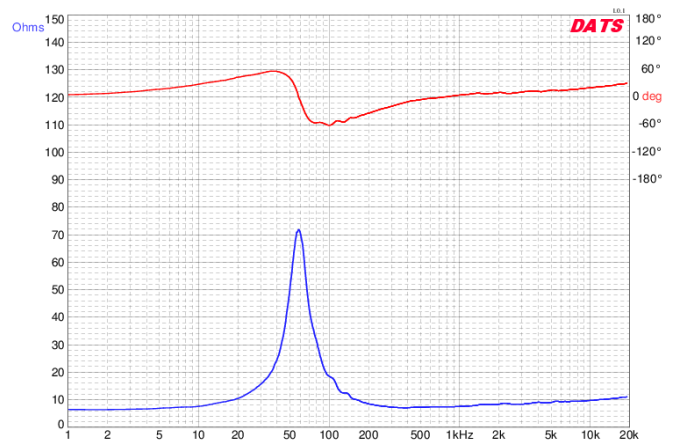
PARAMETERS

Impedance	8 ohms
Re	6.4 ohms
Le	0.63 mH @ 1 kHz
Fs	58.5 Hz
Qms	3.64
Qes	0.36
Qts	0.33
Mms	7g
Cms	1.05 mm/N
Sd	132.7 cm ²
Vd	61.1 cm ³
BL	6.82 Tm
Vas	27.6 liters
Xmax	4.6 mm
VC Diameter	25.4 mm
SPL	94.8 dB @ 2.83V/1m
RMS Power Handling	30 watts
Usable Frequency Range (Hz)	48 - 25,000 Hz

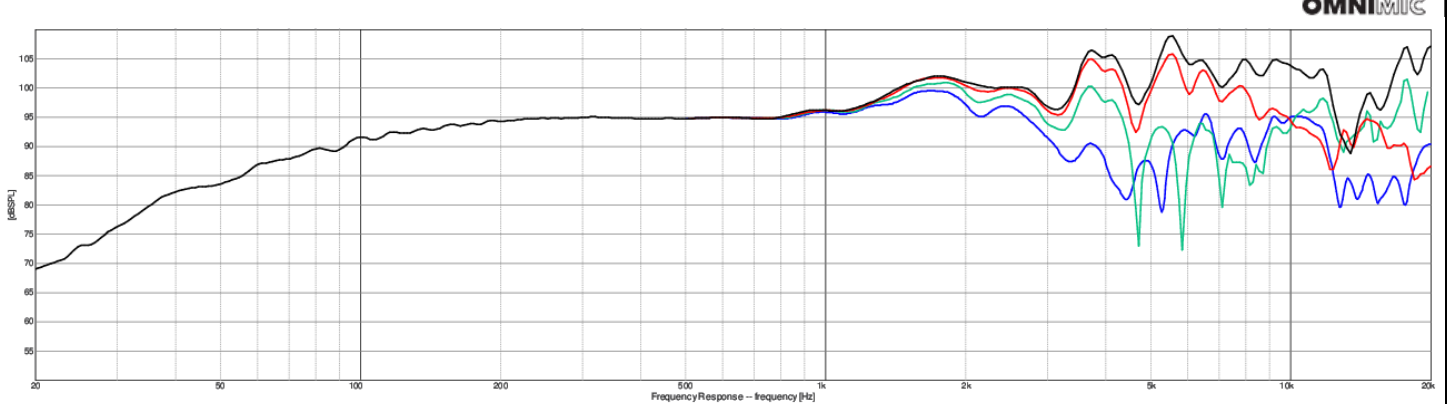
FEATURES

- High sensitivity/minimal distortion-an ideal match for lower powered amplifiers
- Parasitic HF cone and carefully engineered phase plug extend on- and off-axis response
- Solid bass performance, thanks to usefully high excursion capability (5 mm Xmax)
- Optimized neodymium magnet provides high motor strength
- Low-mass copper clad aluminum voice coil

IMPEDANCE/PHASE



FREQUENCY RESPONSE



Note: 1/24th octave smoothing - nearfield response included in graph below 450 Hz.

Black = 0°
Red = 15°
Green = 30°
Blue = 45°