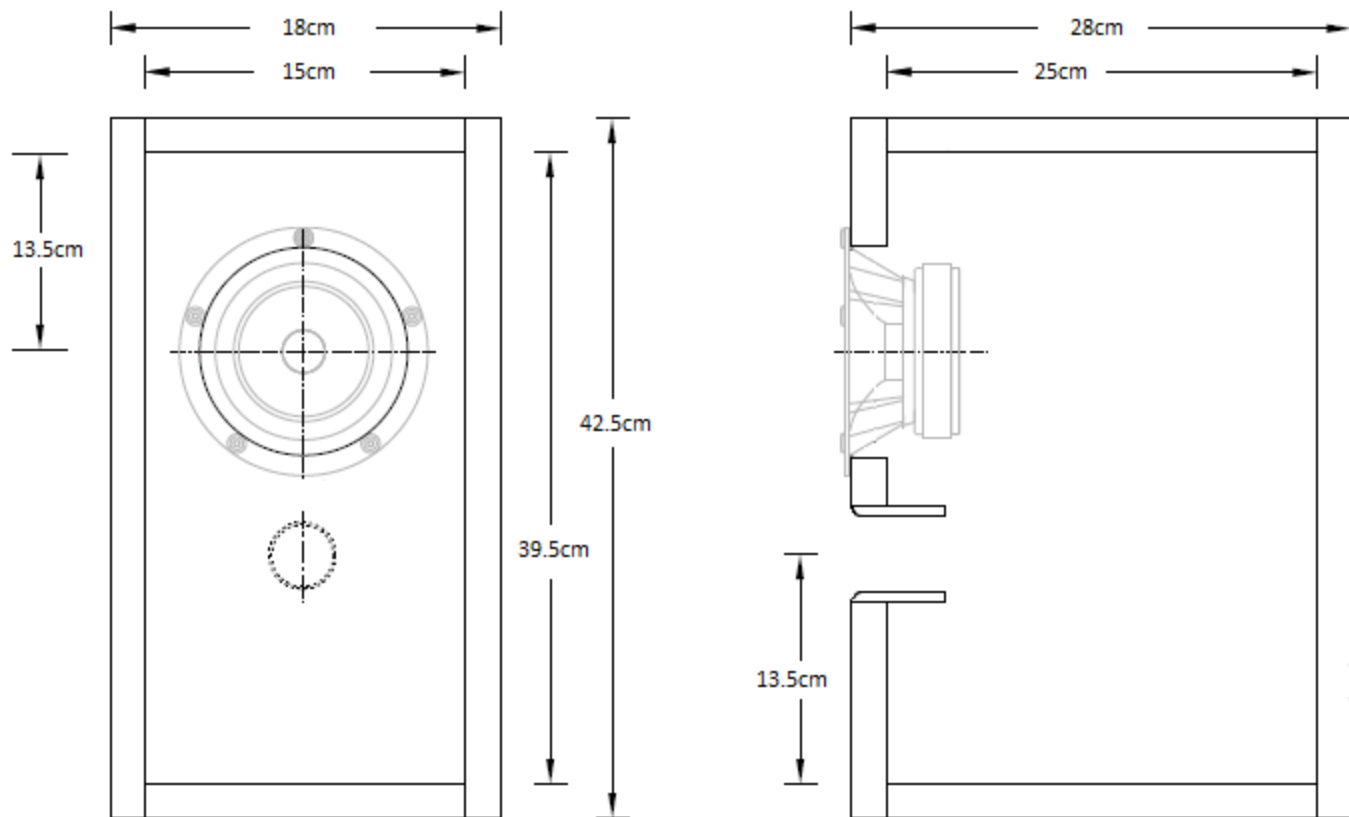


Fenlon 70



markaudio
New Audio Fidelity

- Simple vented box designed by Mark Fenlon for Pluvia 7HD driver!
- Industry norm front port!
- Projects bass forwards for interesting and captivating sound characteristic!
- Simple construction!
- Port 3cm wide and 3.2cm long for powerful bass performance!
- Line box apart from front panel with 2cm - 3cm polyester damping material



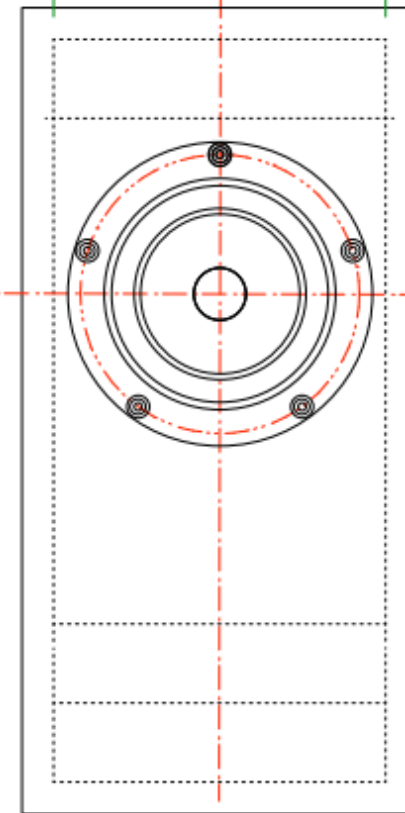
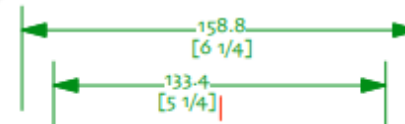
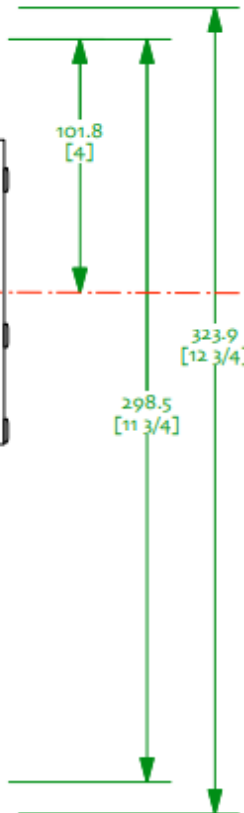
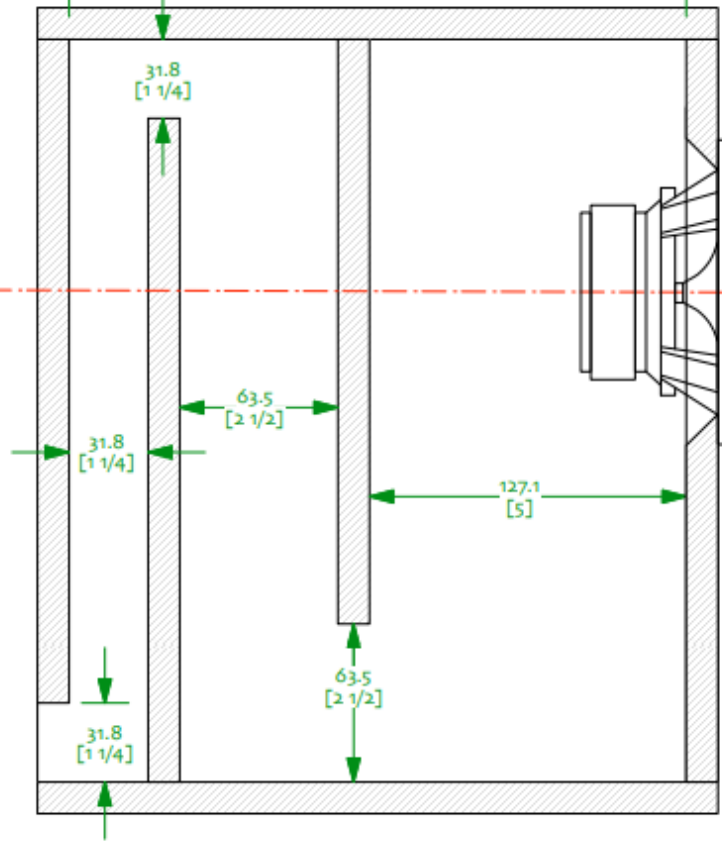
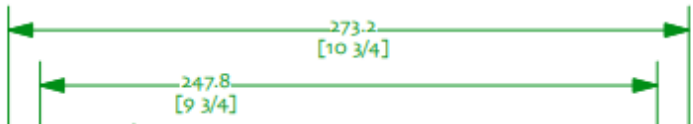
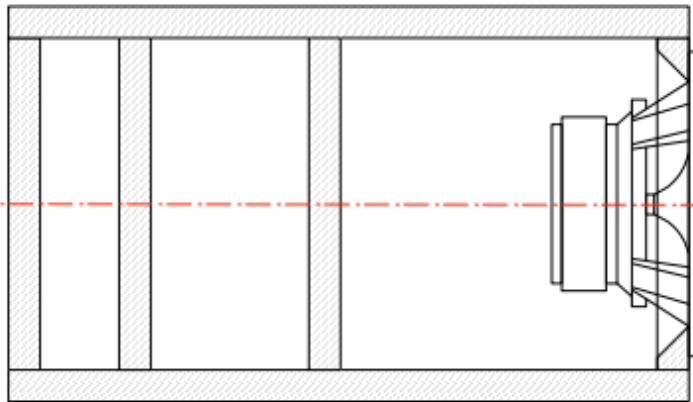


Storm Shadow

Mark Audio Pluvia 7 Labyrinth TL ov8r
Plan 1/2" | 24-october-2018
designed by Scott Lindgren | drawn by did
© 2010-18 Woden Design
Free for non-commercial use

Notes:

0/ drawn using 1/2" (12.7mm) material
1/ damp top & back of 1st manifold, & one side down to just below the driver. Bottom of 1st & 2nd manifold, top of 2nd & 3rd manifold & adjust from there if needed with 1/2" ultratouch felt or equivalent
2/ original design specification is imperial, minor adjustments formetric are fine



Mass-loaded Voigt horn for Markaudio Pluvia 7HD full range drive unit

Notes:

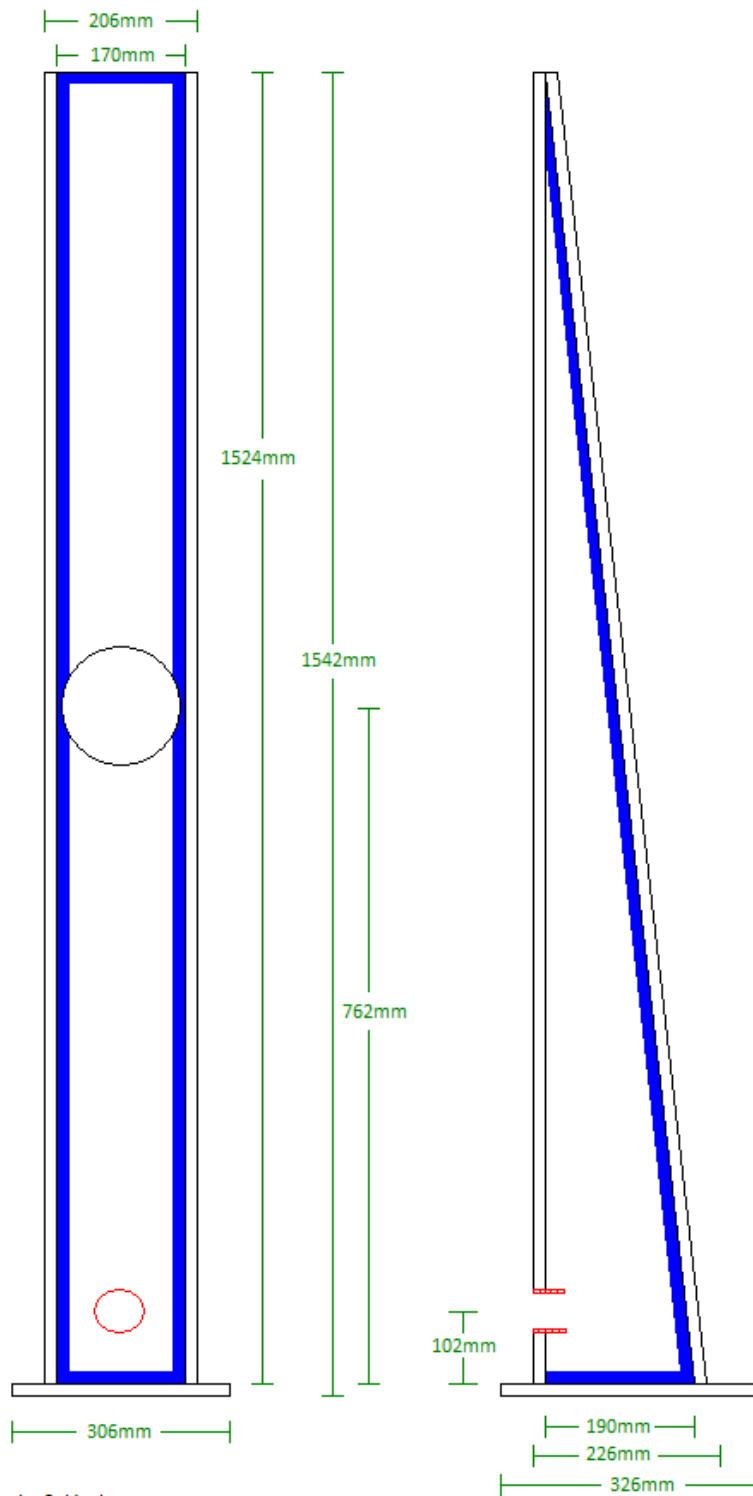
- 0/ Mass-loaded Voigt style horn for Pluvia 7HD
- 1/ Designed for smaller spaces / modest levels
- 2/ 18mm build material assumed. Quality void-free multiply (Baltic birch apple, marine, bamboo) recommended
- 3/ Bracing not shown but recommended. See [Super]Pencil 12P plan for example of longitudinal bracing
- 4/ Lag base, back and sidewalls 10mm - 15mm felt, acoustic fibreglass board, recycled denim, jute or similar. Avoid acoustic foam
- 5/ Duct 50mm diameter x 38mm long

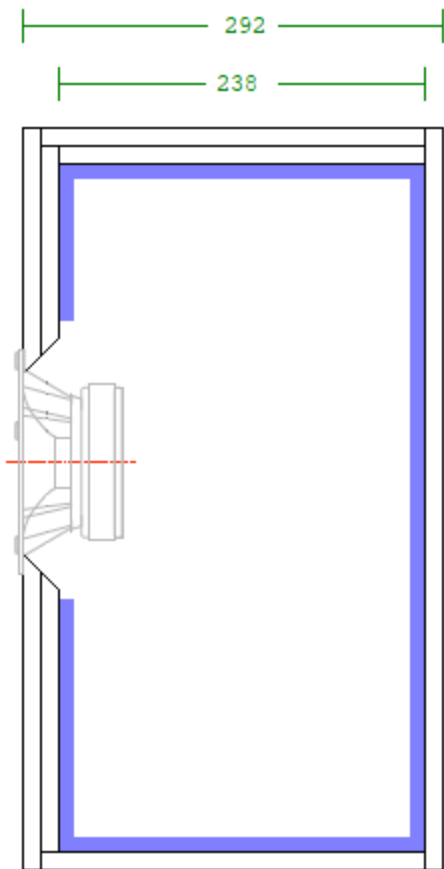
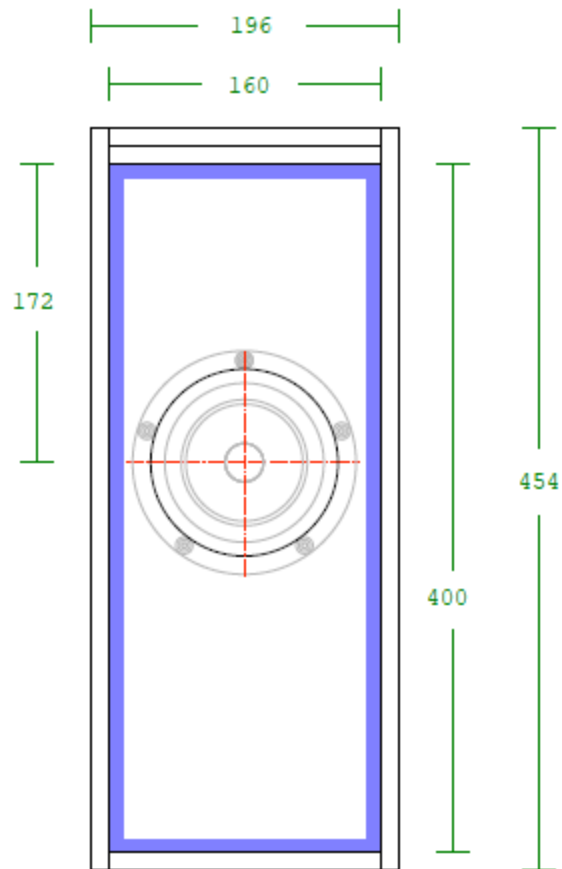
Design assumes voltage source amplifier & 1/2ohm series resistance for wire, connections &c.

Fb = 49Hz

F3 = 43Hz [nominal anechoic]

F6 = 38Hz [nominal anechoic]





Sealed box Standmount for Markaudio Pluvia HD



markaudio
New Audio Fidelity

Notes:

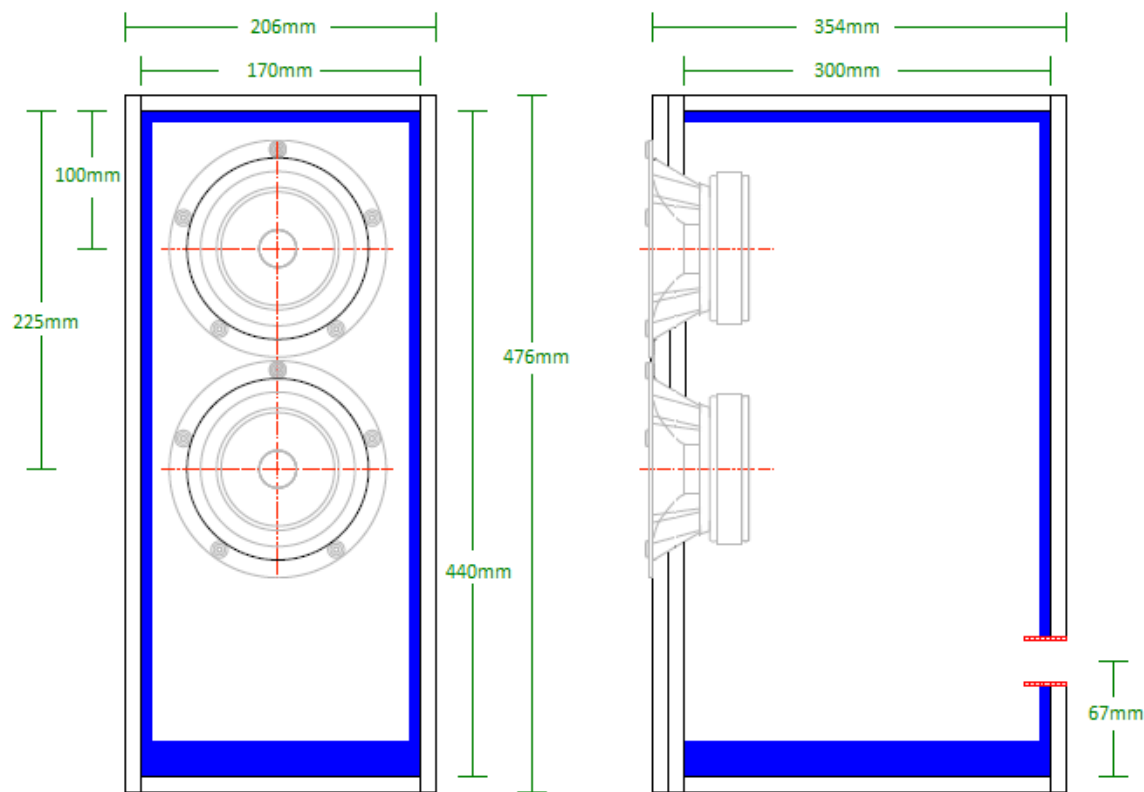
- 0/ 18mm build material assumed. MDF acceptable, quality void-free multiply recommended
- 1/ Lag all internal faces 25mm acoustic fibreglass, rockwool, SAE-F10 felt, jute or similar. Avoid acoustic foam
- 2/ Bracing not shown but recommended

Design assumes voltage source amplifier and 1/2ohm series resistance for typical speaker wire, connectors etc.

Nominal Qtc = 0.707 (Butterworth)

Fb = 82Hz

F6 = 62Hz [nominal anechoic]



Twin driver high-output standmount for Markaudio Pluvia 7HD

Notes

- 0/ Twin drivers on front baffle for increased total output & headroom
- 1/ Drivers wired in series. Lower driver may be low-passed if desired via shunt capacitor
- 2/ Single vent on rear panel
- 3/ All internal faces except front baffle lagged 10mm - 12mm felt, acoustic fibreglass board, jute, recycled denim or similar. Triple thickness on internal base

Fb = 50Hz

F3 = 45Hz [nominal anechoic]

F6 = 40Hz [nominal anechoic]

Nominal vent diameter x length options (untapered ducts)

30mm diameter x 18mm

35mm diameter x 27mm long

40mm diameter x 39mm long

45mm diameter x 53mm long

50mm diameter x 69mm long