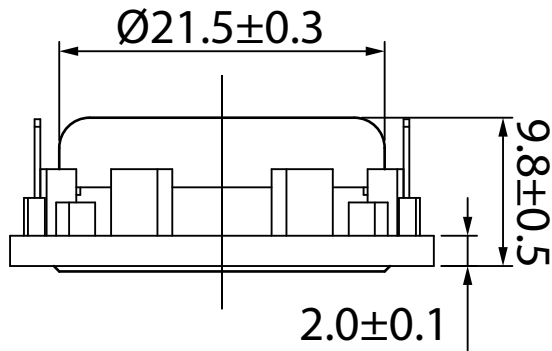
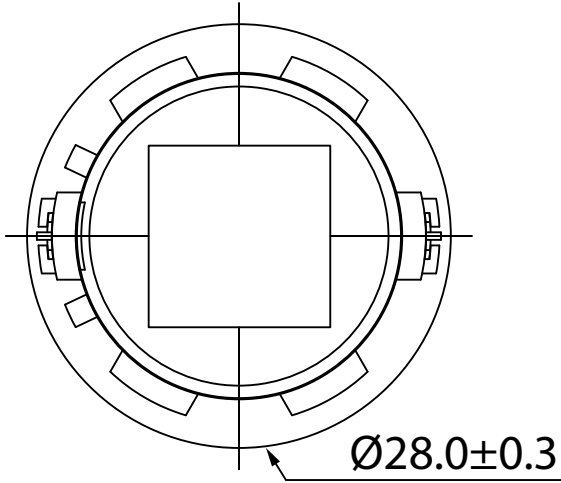




1" Neo Extended Range 2W 4 ohm

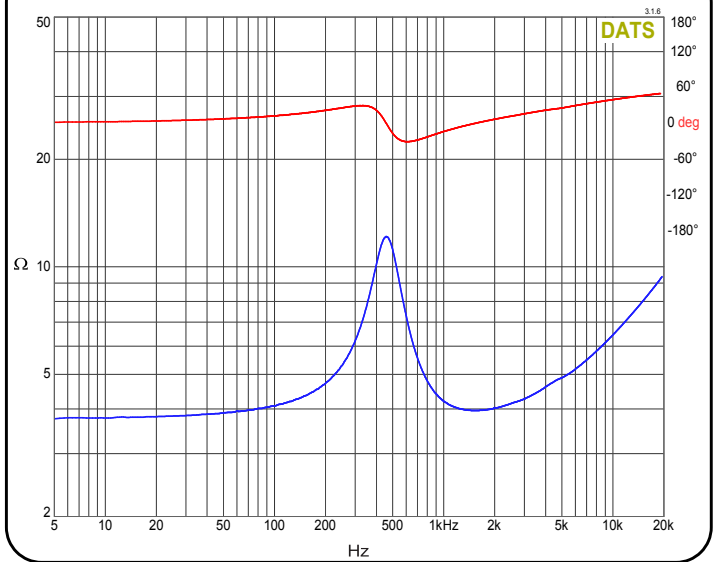
CE28N-4



PARAMETERS

|                               |                      |
|-------------------------------|----------------------|
| Impedance                     | 4 ohms               |
| Re                            | 3.79 ohms            |
| Le                            | 0.06 mH @ 10kHz      |
| Fs                            | 456 Hz               |
| Qms                           | 2.73                 |
| Qes                           | 1.24                 |
| Qts                           | 0.85                 |
| Mms                           | 0.29 g               |
| Cms                           | 0.42 mm/N            |
| Sd                            | 3.1 cm <sup>2</sup>  |
| Vd                            | 0.11 cm <sup>3</sup> |
| BL                            | 1.56 Tm              |
| Vas                           | 0.006 liters         |
| Xmax                          | 0.35 mm              |
| VC Diameter                   | 16 mm                |
| SPL                           | 81 dB @ 2.83V/1m     |
| RMS Power Handling (AES 426B) | 2 watts              |
| Usable Frequency Range (Hz)   | 400 - 20,000 Hz      |

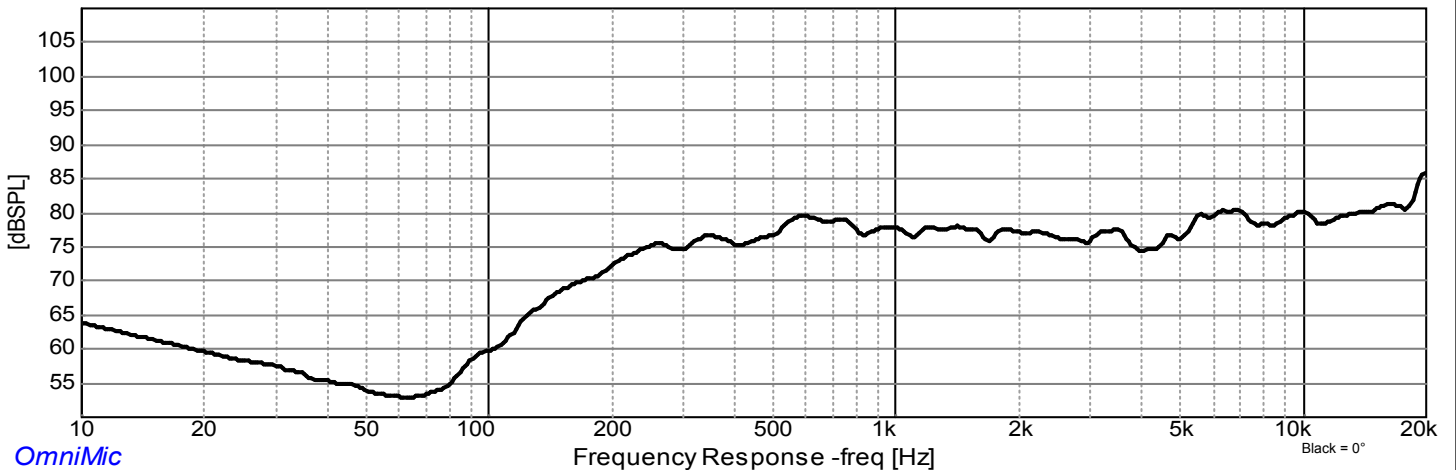
IMPEDANCE/PHASE



FEATURES

- Delivers crisp, clear audio, ensuring an immersive listening experience
- High-quality audio solutions without breaking the bank, ideal for budget-conscious projects
- Suitable for commercial installations, DIY projects, art exhibits, and more

FREQUENCY RESPONSE



Note: 1/24<sup>th</sup> octave smoothing - near field response included in graph below 450 Hz.