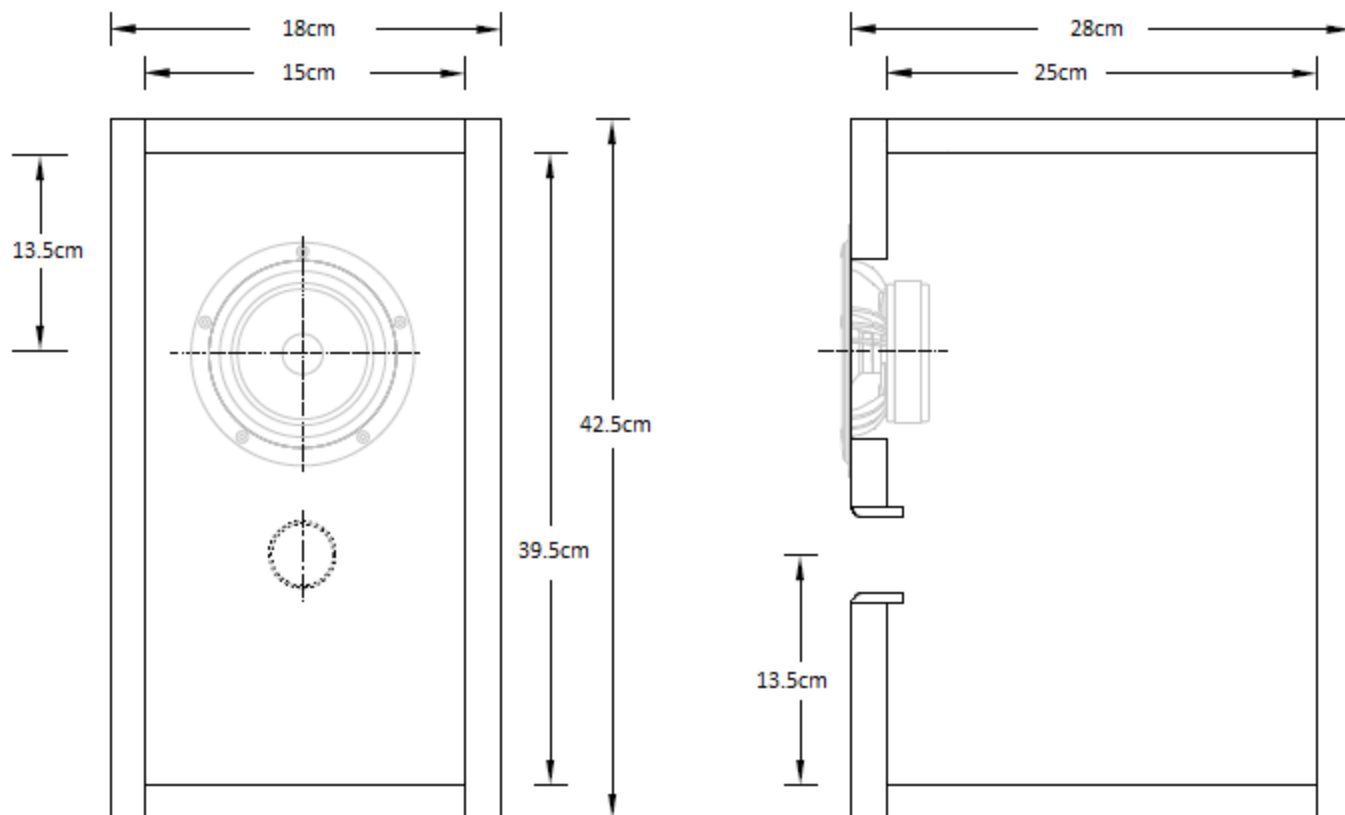


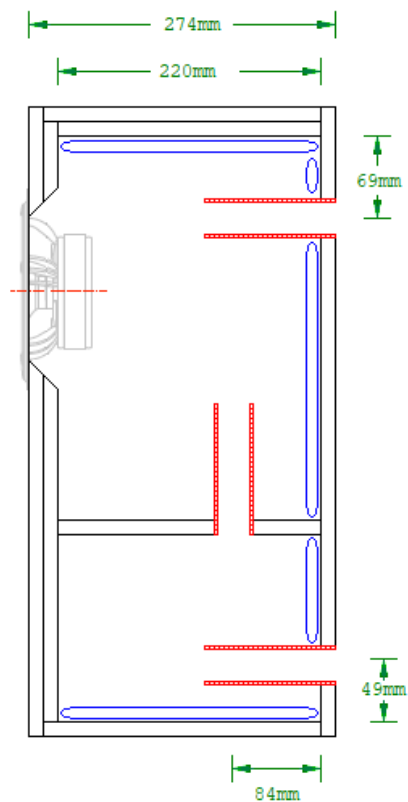
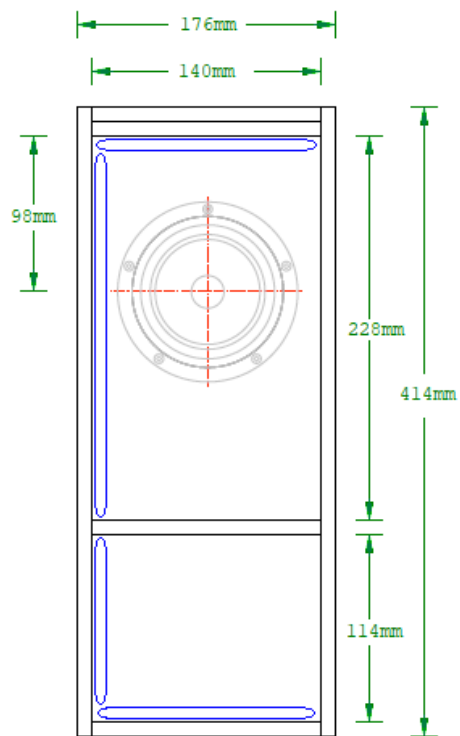
Fenlon 70MS



markaudio
New Audio Fidelity

- Simple vented box designed by Mark Fenlon for Alpair 7MS driver!
- Industry norm front port!
- Projects bass forwards for interesting and captivating sound characteristic!
- Simple construction!
- Port 3cm wide and 2.4cm long for powerful bass performance!
- Line box apart from front panel 2cm - 3cm thick polyester damping material



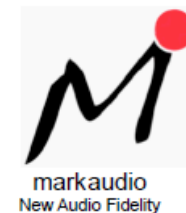


Mat

Traditional double-chamber reflex

for

Markaudio Alpha 7 MS

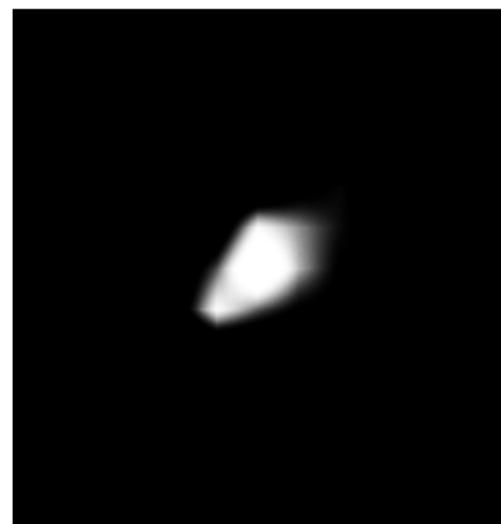


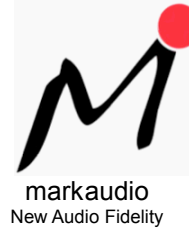
Notes:

- 0/ 18mm sheet build material assumed. MDF acceptable, quality void-free multiply recommended
- 1/ Front & top baffles doubled for increased rigidity
- 2/ Bracing not shown but recommended.
- 3/ Chamfer / relieve driver cutout to reduce reflections & enhance airflow
- 4/ Top, rear & one side baffle lagged 12mm - 20mm bonded acoustic fibreglass, SAE-F10, jute or equivalent. Avoid acoustic foam
- 5/ Vents untapered cylindrical ducts 30mm diameter x 91mm long

Design assumes voltage source amplifier with 1/2ohm series R for typical wire loop, connection losses

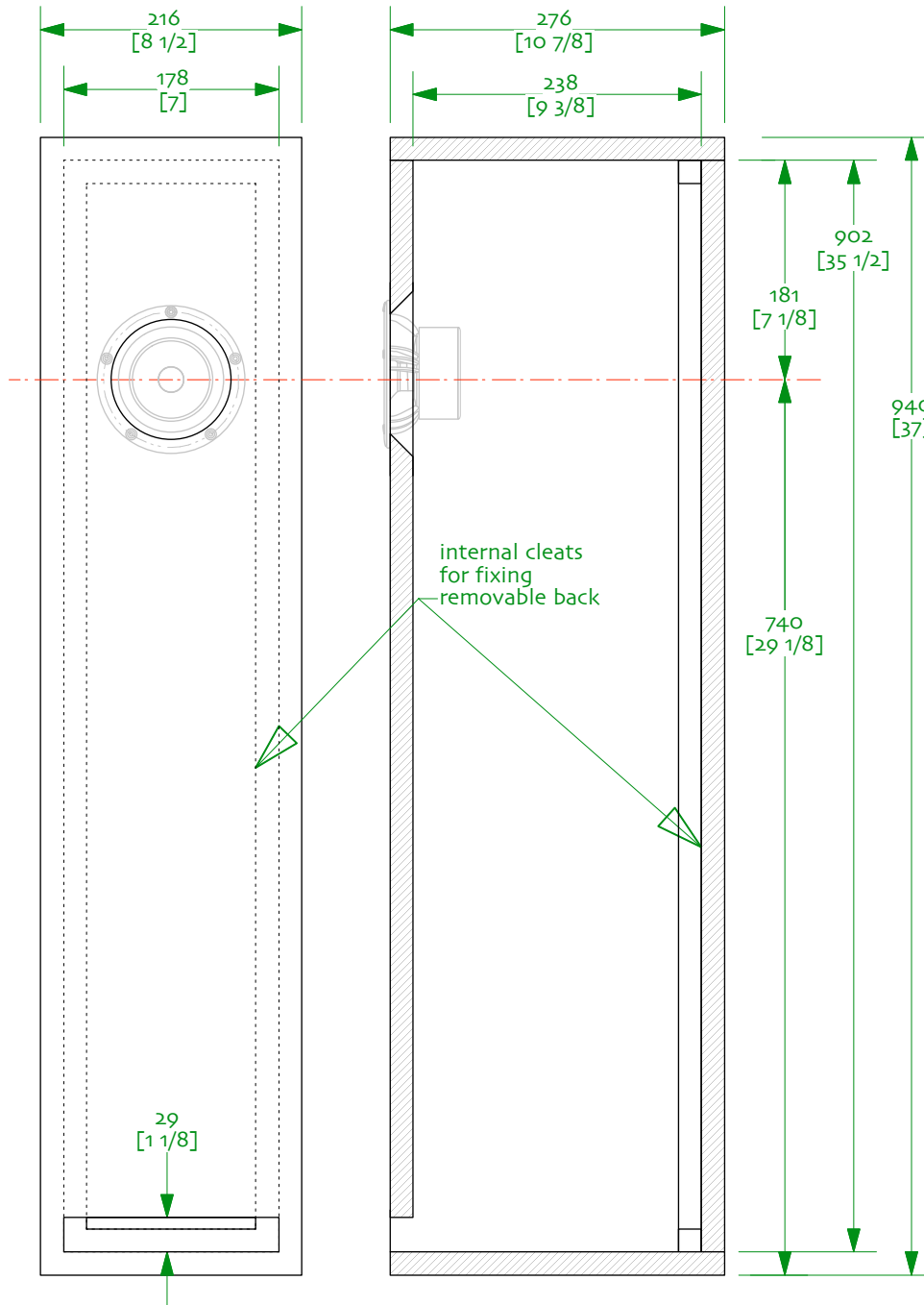
- Fb = 60Hz
- F6 = 46.5Hz [nominal anechoic]
- F10 = 42Hz [nominal anechoic]





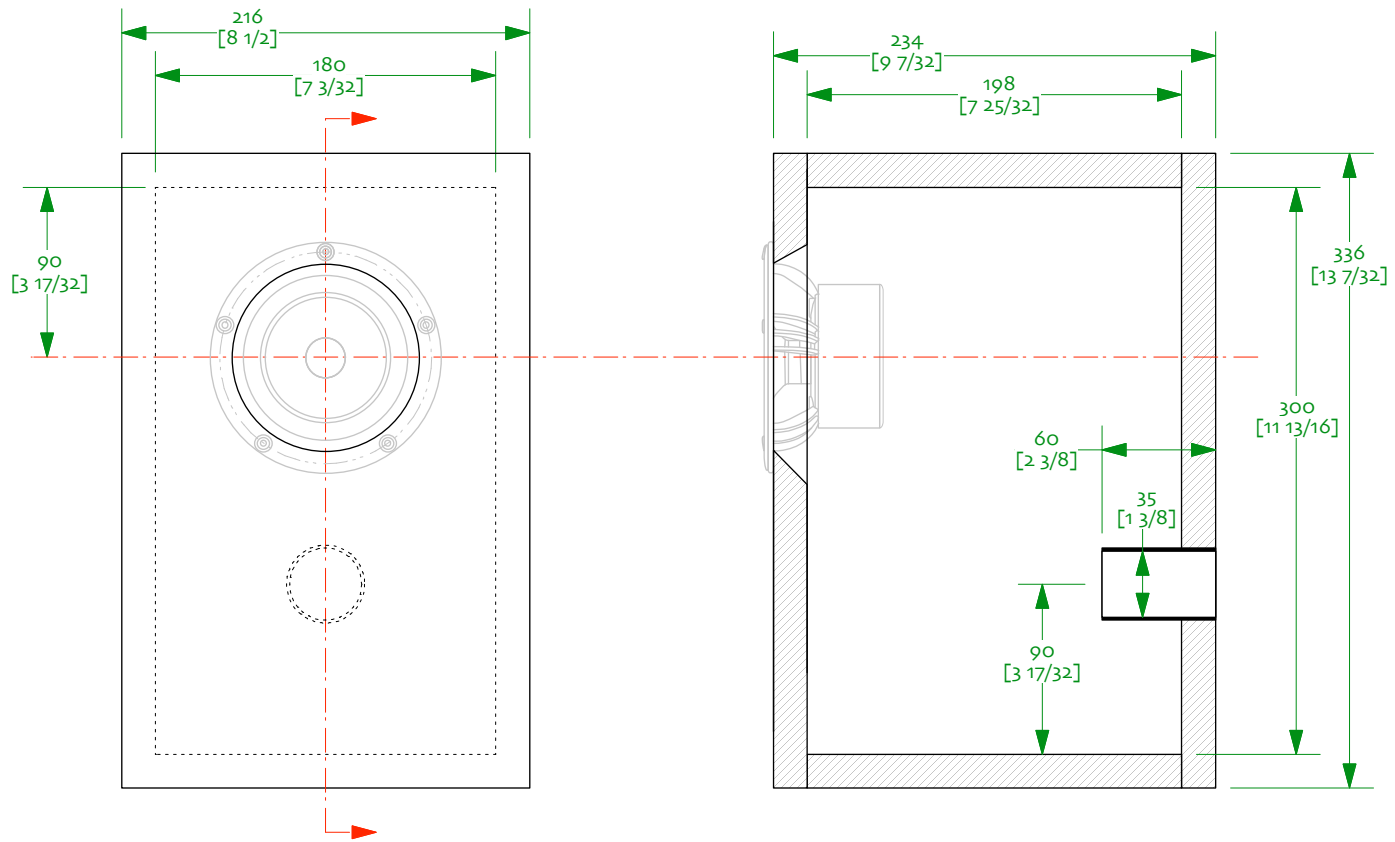
Pensil 7ms | Alpair 7ms

designed by S Lindgren drawn by dld
31-August-2018
©2010-2018 Markaudio All rights reserved
NOT for commercial use without prior
written approval from Markimage Limited



Notes:

- 0/ drawing uses 3/4" (19.1mm) material. 18-20mm OK. Quality multi-ply recommended
- 1/ stuff with 0.65 lbs / ft³ (14 ounces = 397g) of polyfill
- 2/cleats on back to allow for removable back, useful for adjusting the stuffing
- 3/ bracing is optional. For bracing ideas please see the bracing sheet in the superPensil12 plans



- Notes:
- 0/ Compact vented box standmount for Mark Audio Alpair 7MS 4in negative-camber wideband drive unit – 10.5 litres
 - 1/ drawn with 18mm material. Quality multi-ply recommended
 - 2/ lag top, back, and one sidewall with 12-18mm cotton or wool felt or similar. Avoid acoustic foam
 - 3/ bracing is optional but recommended
 - 4/ don't forget to open up the back of the driver cut-out



Ibelin ov82
 Mark Audio Alpair 7ms
 Plan 18mm | 30-august-2018
 designed by Scott Lindgren | drawn by dld
 © 2010-18 Woden Design
 Free for non-commercial use